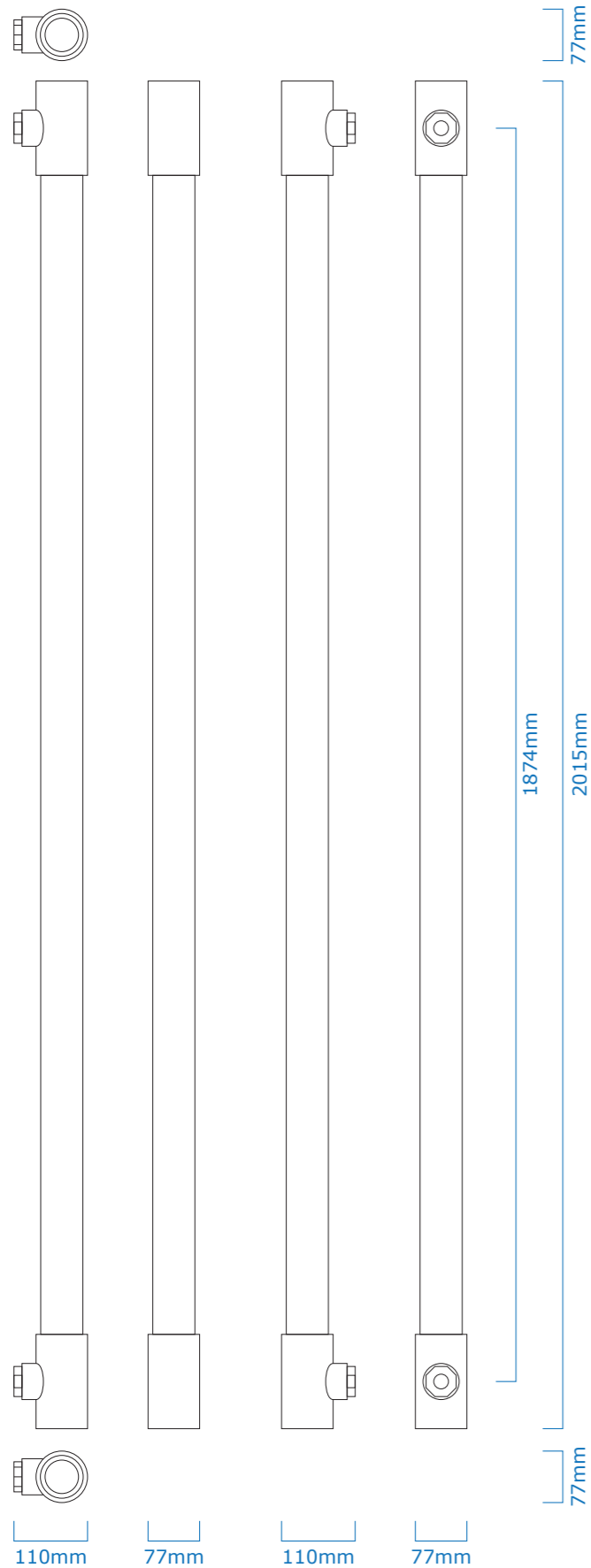
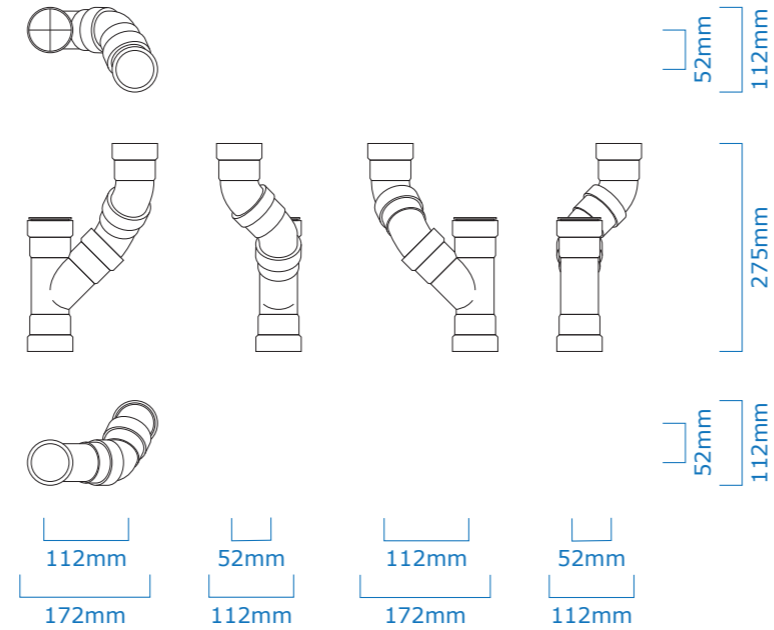


**Recoup Pipe+ HE**



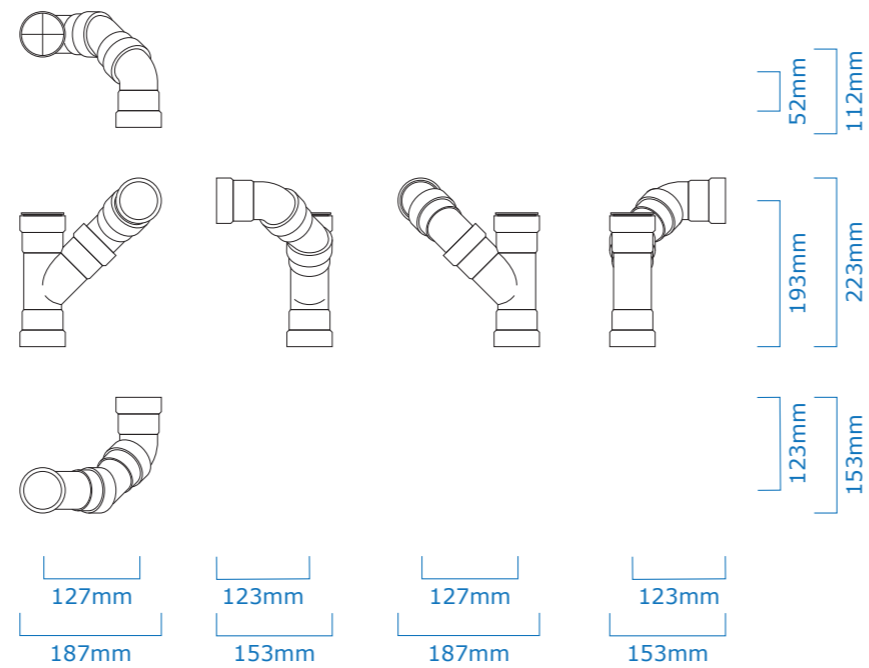
**Top Connector Assembly (Configuration 1)**

- Vertical shower waste connection
- Can be mirrored to produce a connection to the opposite side
- 50mm push-fit O/D pipe
- Install kit includes reducer for 43mm O/D solvent-weld pipe



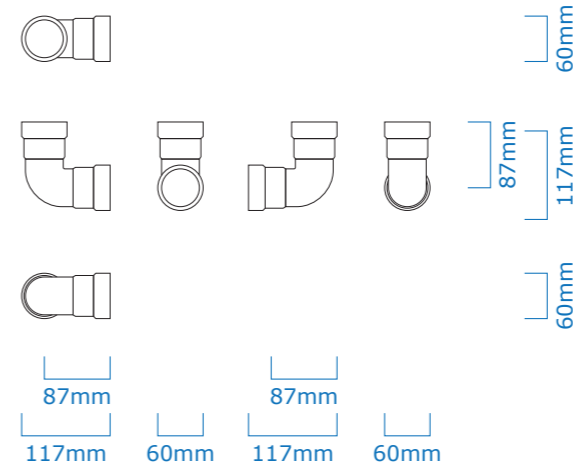
**Top Connector Assembly (Configuration 2)**

- Horizontal shower waste connection
- Can be mirrored to produce a connection to the opposite side
- 50mm push-fit O/D pipe
- Install kit includes reducer for 43mm O/D solvent-weld pipe



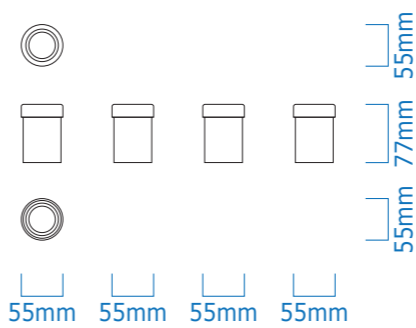
**90° Coupling Sleeve**

- 50mm push-fit O/D pipe
- Install kit includes reducer for UK 43mm O/D solvent-weld pipe or 40mm O/D push-fit

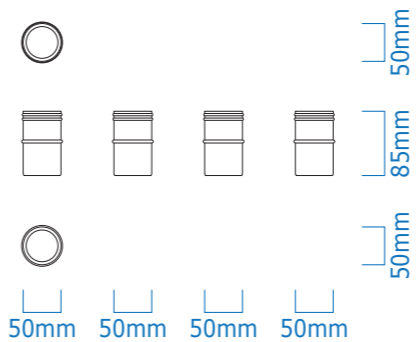


**Waste Pipe Reducers**

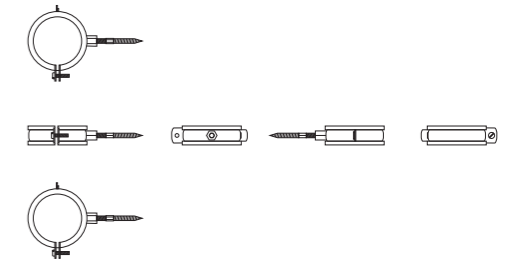
- 50mm push-fit O/D
- UK 43mm O/D solvent-weld pipe or 40mm O/D push-fit



**Pipe+ HE Coupling Inserts**



**Pipe+ HE Mounting Bracket**



**Pipe+ HE Nipple**

- 1/2 inch BSP connection



It is the responsibility of the installer to read the specification and installation instructions. Design drawings and installation documentation must be adhered to.

THIS DRAWING REMAINS THE PROPERTY OF RECOUP ENERGY SOLUTIONS LTD.