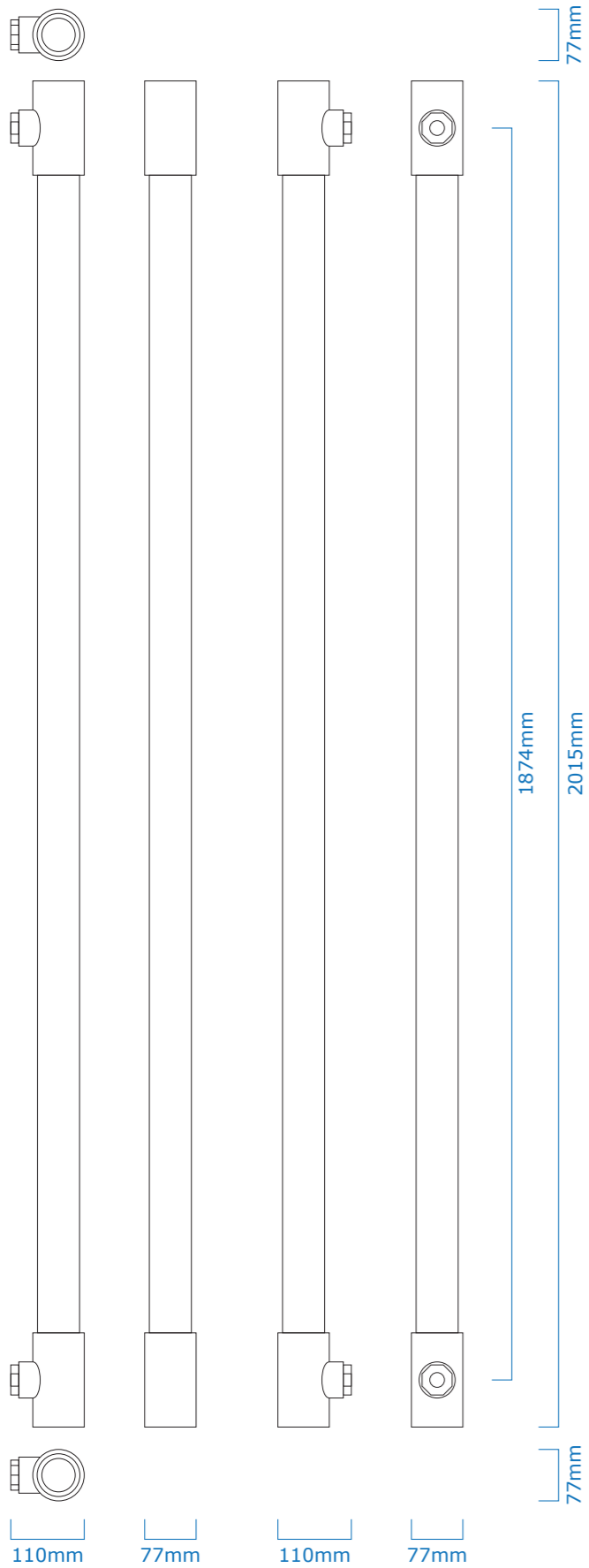
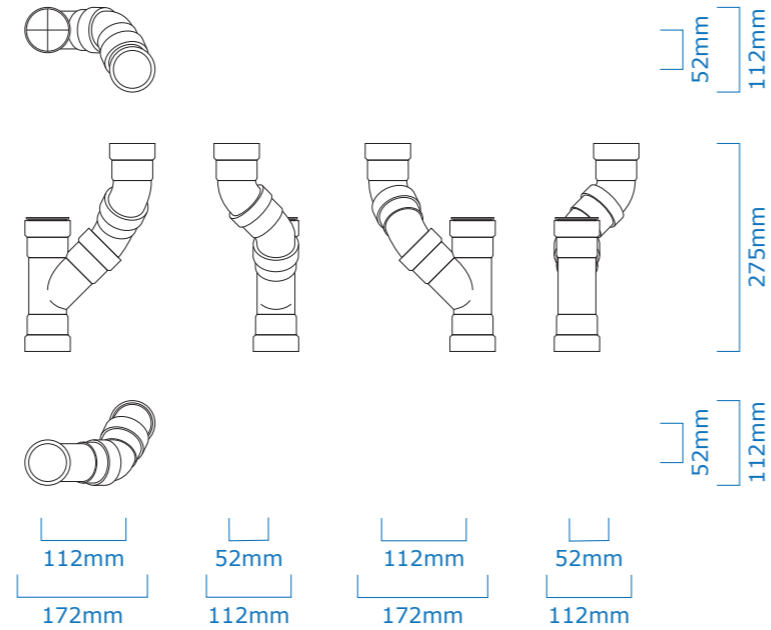


Recoup Pipe+ HE



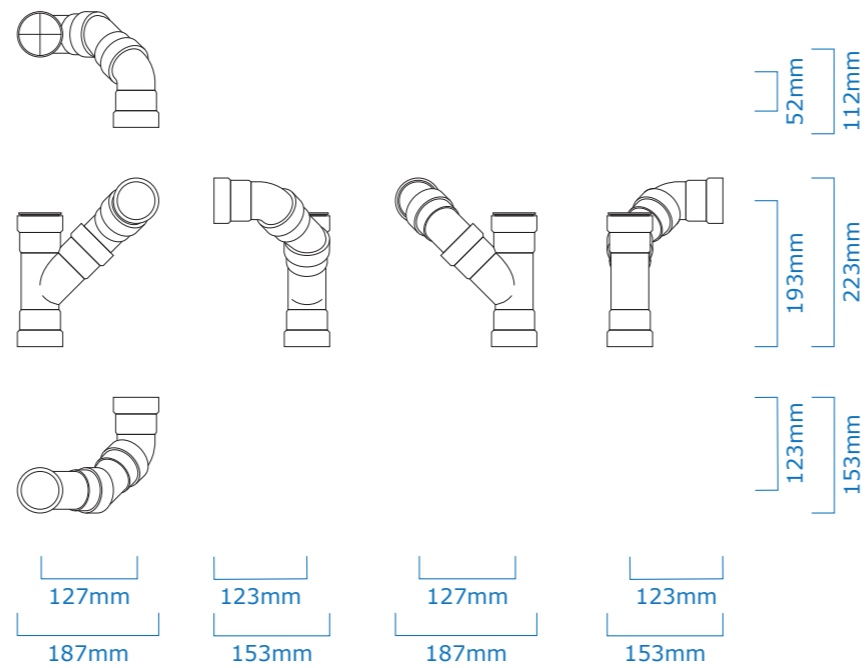
Top Connector Assembly (Configuration 1)

- Vertical shower waste connection
- Can be mirrored to produce a connection to the opposite side
- 50mm push-fit O/D pipe
- Install kit includes reducer for 43mm O/D solvent-weld pipe



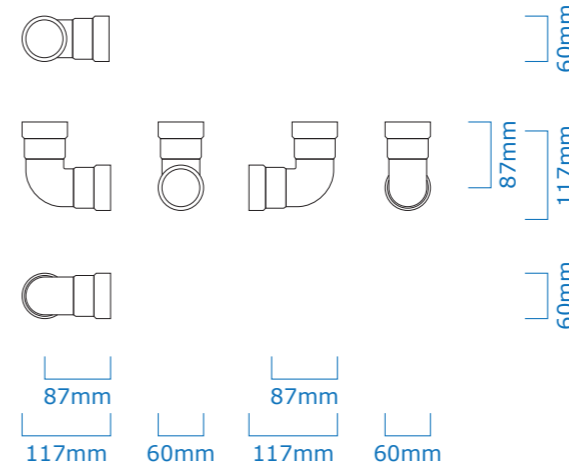
Top Connector Assembly (Configuration 2)

- Horizontal shower waste connection
- Can be mirrored to produce a connection to the opposite side
- 50mm push-fit O/D pipe
- Install kit includes reducer for 43mm O/D solvent-weld pipe



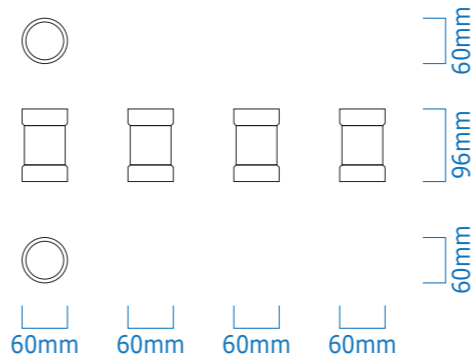
90° Connector (Bottom option 1)

- 50mm push-fit O/D pipe
- Install kit includes reducer for 43mm O/D solvent-weld pipe

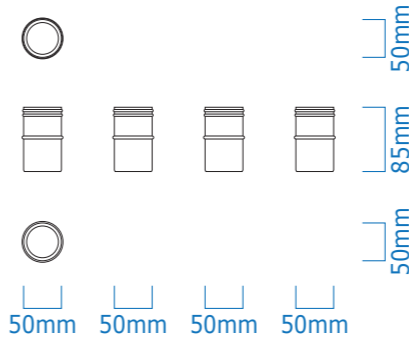


Straight Connector (Bottom option 2)

- 50mm push-fit O/D pipe
- Install kit includes reducer for 43mm O/D solvent-weld pipe

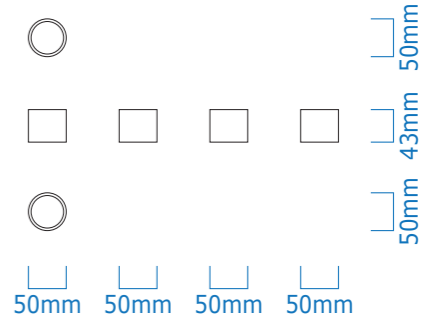


Pipe+ HE to Waste Pipe Connector

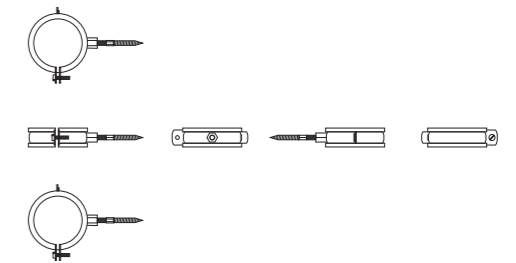


Waste Pipe Reducer

- 50mm push-fit O/D
- 43mm O/D solvent-weld pipe



Pipe+ HE Fixing Bracket



Pipe+ HE Nipple

- 1/2 inch BSP connection



It is the responsibility of the installer to read the specification and installation instructions. Design drawings and installation documentation must be adhered to.

THIS DRAWING REMAINS THE PROPERTY OF RECOUP ENERGY SOLUTIONS LTD.